

Type 1125/1125A Differential Pressure Gauge

Type 1125 4½" Shown



Type 1125A 4½" Shown

FEATURES

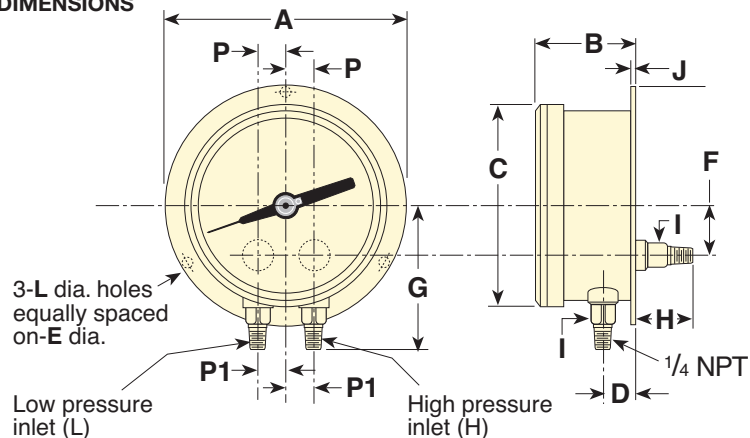
- 4½" & 6" dial size
- Bronze Bourdon tube and sockets
- ASME B40.1 Grade 1A (2%-1%-2%).
- Black epoxy coated aluminum case and ring

The Ashcroft® Type 1125/1125A differential pressure gauges display the difference of two separate indicators. The 1125A is offered with "0" at the 12 o'clock position on the dial with positive pressure on either side of zero. The 1125/1125A has bronze Bourdon tubes with brass sockets. When the process media is corrosive to the gauge wetted parts, a diaphragm seal with capillary is available.

PRODUCT SPECIFICATIONS

Model Number:	1125/1125A
Accuracy:	2%-1%-2% ASME Grade A
Case Style:	Open Front (dry only)
Case Material:	Cast Aluminum, Black Epoxy Coated
Dial Size:	4½" (45), 6" (60)
Dial Material & Color:	White Painted Aluminum with Black Markings
Ring Type:	Aluminum, Black Epoxy Coated
Bourdon Tube Material:	Grade A Phosphor Bronze (A)
Socket Material:	Bronze
Connection Size:	¼ NPT only
Connection Location:	Lower (L) or Back (B)
Range Limits:	10-1000 psi
Mounting:	Stem or Surface
Movement:	Bronze
Pointer:	Black
Window:	Glass
Warranty:	1 Year

DIMENSIONS



Dial Size Inches	A	B	C	D	E	H	I	J	P	P ₁	L	Wgt (lbs)
4½	5⅞ (149)	3⅞ (82)	5⅞ (128)	1½ (26)	5⅞ (137)	1⅞ (40)	⅝ (16)	⅛ (3)	2⅞ (17)	1⅞ (15)	⅞ (6)	3.0 6.6 kg
6	7⅞ (198,5)	3⅞ (79)	9⅞ (167)	1½ (26)	7 (178)	1⅞ (40)	1⅞ (15)	⅜ (5)	2⅞ (17)	1⅞ (15)	⅞ (7)	3.0 6.6 kg

45 1125 PRODUCT CODING

Typical Code:

45	1125	02	L	100#
SIZE	TYPE NUMBER	PROCESS CONN. SIZE	CONNECTION LOCATION	RANGE (psi)
(45) 4½	1125	Code NPT (02) ¼ Male (04) ½ Male	Code Description (L) Lower (B) Back	20
(60) 6	1125A* *Dial with "0" at 12:00 position			30
	Tube & Socket Grade A phosphor bronze tube with bronze socket			60
				100
				160
				200
				300
				400
				600
				800
				1000

All specifications are subject to change without notice.
 All sales subject to standard terms and conditions.
 © 2015 Ashcroft Inc. Rev. 04/15

Ashcroft Inc., 250 East Main Street, Stratford, CT 06614 USA
 Tel: 203-378-8281 • Fax: 203-385-0408
 email: info@ashcroft.com • www.ashcroft.com

Type 1125/1125A Differential Pressure Gauge

CASE SELECTION AND MOUNTING						
Dial Size (inches)	Order Code	Case Type	Case: Material Finish	Ring: Material Finish Style	Mounting	Connection
4½" 6"	(45) (60)	1125 1125A	Aluminum Black	Aluminum Black Threaded	Stem Surface	Lower

SYSTEM, CONNECTION & LOCATION						
Bourdon Tube & Tip Material	Socket Material	Tube & Socket Code	Case Style	NPT Conn Code	Connection Location & Code	Range Selection Limits (psid)
Phosphor Bronze Tube	Bronze	N/A	Open Front	¼ (02)	Lower (L)	20/1000–1125 10/0/10–1125A 500/0/500–1125A

STANDARD RANGES							
Type 1125 (210° dial arc)				Type 1125A (210° dial arc) Zero centered dial			
Pressure Range psid	Figure Interval	Minor Graduation	Static Pressure Limits*	Pressure Range psid	Figure Interval	Minor Graduation	Static Pressure Limits*
0/10**	5	0.1	30	10/0/10	2	0.2	30
0/15**	5	0.1	30	15/0/15	5	0.5	60
0/20	5	0.2	30	30/0/30	10	1	120
0/30	5	0.5	60	50/0/50	10	1	200
0/60	10	1	120	80/0/80	20	2	300
0/100	10	1	200	100/0/100	20	2	300
0/160	20	2	300	150/0/150	50	5	450
0/200	20	2	300	200/0/200	50	5	600
0/300	50	5	450	300/0/300	100	10	900
0/400	50	5	600	400/0/400	100	10	1200
0/600	100	10	900	500/0/500	100	10	1500
0/800	100	10	1200				
0/1000	100	10	1500				

*Maximum pressure that can be admitted into Bourdon tubes.

**130 degree dial arc.

METRIC RANGES								
	PRESSURE RANGE		DIAL GRADUATIONS		RANGE	DIAL GRADUATIONS		Outer Range When Dual Range Specified psi
	kg/cm2	bar	Figure Interval	Minor Graduation	kPa (kilopascal)	Figure Interval	Minor Graduation	
Type 1125	0/1.4	0/1.4	0.2	0.02	0/140	20	2	0/20
	0/2	0/2	0.5	0.05	0/200	50	5	0/28
	0/4	0/4	0.5	0.05	0/400	50	5	0/55
	0/7	0/7	0.5	0.1	0/400	50	10	0/100
	0/11	0/11	2	0.2	0/1100	200	20	0/160
	0/14	0/14	2	0.2	0/1400	200	20	0/200
	0/20	0/20	5	0.5	0/2000	250	50	0/300
	0/28	0/28	5	0.5	0/2800	500	50	0/400
	0/40	0/40	5	0.5	0/4000	500	50	0/600
	0/56	0/56	10	1	0/5600	1000	100	0/800
0/70	0/70	10	1	0/7000	1000	100	0/1000	
Type 1125A	0.7/0/0.7	0.7/0.7	0.2	0.02	70/0/70	20	2	10/0/10
	1/0/1	1/1	0.5	0.05	100/0/100	50	5	14/0/14
	2/0/2	2/2	0.1	0.01	200/0/200	50	5	28/0/28
	3.5/0/3.5	3.5/3.5	0.5	0.1	350/0/350	50	10	50/0/50
	5.5/0/5.5	5.5/5.5	2	0.2	550/0/550	200	20	80/0/80
	7/0/7	7/7	2	0.2	700/0/700	200	20	100/0/100
	10/0/10	10/10	5	0.5	1000/0/1000	250	50	150/0/150
	14/0/14	14/14	5	0.5	1400/0/1400	500	50	200/0/200
	20/0/20	20/20	5	0.5	2000/0/2000	500	50	300/0/300
	28/0/28	28/28	10	1	2800/0/2800	1000	100	400/0/400
	35/0/35	35/35	10	1	3500/0/3500	1000	100	500/0/500